

Our Products

Swimming Pool Accessories

High-Quality & Versatile Swimming Pool Accessories, Lights & More.
Browse through our catalogue!

Visit Now

www.urgentb2b.com

Vacuum Head



T49 Standard Liner Vacuum Head



T49S Standard Liner Vacuum Head



T67S Triangular Vacuum Head



T90 Deluxe Vacuum Head with Side Brushes



T91S Deluxe Vacuum Head with Swivel and Side Brushes



T71S Transparent Triangular Vacuum Head



T440 Rotative Vacuum Head with Air Relief Valve



T449 Rotative Vacuum Head with Side Brushes and Air Relief Valve



T372 Economy Liner Vacuum Head

Vacuum Head



T130S See-through Semi-circle Vacuum Head with Swivel



T238 Triangular Vacuum Head with Swivel and Rubber Bumper



T601S Rotative Triangular Vacuum Head with Swivel



T602 Deluxe Triangular Vacuum Head



T247 1/2 Moon Vacuum Head Sand Weighted



T938 Flexible Vacuum Head with Brushes



T991 Elliptic Vacuum Head with Bottom Brush



T660S Vacuum Head with Air Relief Valve and Swivel



T462S Swiveling Vacuum Head with Air Relief Valve

Vacuum Head



T463S Swiveling Vacuum Head with Side Brushes and Air Relief Valve



T114 14\"/>



T115 14\"/>



T70 14\"/>



T569 19\"/>



T136 14\"/>



T323 Deluxe Triangular Vacuum Head with Brush



T324 Deluxe Fan Shaped Vacuum Head with Brush



T675 Deluxe 14\"/>

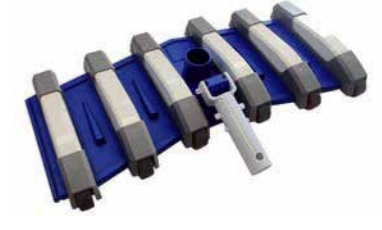
Jet Vacuums



T255 14\"/>



T256 18\"/>



T676 Deluxe 19\"/>



T376 Jet Vacuum Cleaner



T359 Deluxe Complete Underwater Vacuum Cleaner with Brushes



T105 Complete Underwater Vacuum Cleaner



T104 Complete Underwater Vacuum Cleaner with 5 sections Pole of 48\"/>



T358 Deluxe Complete Underwater Vacuum Cleaner with 5 sections Pole of 48\"/>



T386C 15\"/>

Jet Vacuums



T544A EZ Vacuum System with 3 Adaptors and 150cm Long 4 sections Pole and dia. 32mmX5m Hose

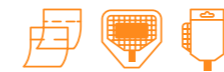


T544B Deluxe EZ Vacuum System with 3 Adaptors and 150cm Long 4 sections Pole and dia. 32mmX5m Hose



T544C Deluxe EZ Vacuum System with Additional Small Vacuum Head, 3 Adaptors and 150cm Long 4 sections Pole and dia. 32mmX5m Hose

Leaf Skimmers



T52 Economy Leaf Skimmer (PE net)



T52C Economy Leaf Skimmer with 1.25m or 3x16" (dia. 20mm) Alum. Telescopic Handle (PE net)



T56 Heavy Duty Leaf Skimmer (Nylon net)



T87 Economy Leaf Skimmer with Magnet (PE net)



T740 Pool Leaf Skimmer (PE net)



T837 Leaf Skimmer (Nylon net)



T635 Economy Leaf Skimmer with Regular Handle (Nylon net)



T509 Plastic Leaf Skimmer (Nylon net)



T604 Heavy Duty Deep Rake (Nylon net)

Leaf Skimmers



T140 Aluminum Leaf Skimmer (PE Net)



T262 Leaf Skimmer with Plastic Frame and Aluminum Handle



T848 Aluminum Leaf Skimmer (PE Net)



T83 Aluminum Frame Deep Net Leaf Skimmer(PE net)



T108 Heavy Duty Aluminum Leaf Skimmer



T112 Heavy Duty Aluminum Leaf Skimmer (Nylon net)



T326D Deluxe Aluminum Leaf Skimmer



T293 Leaf Skimmer with Black PP net



T953 Deluxe Durable Skimmer Net Surface (PE net)

Leaf Skimmers



T89 Economy Leaf Skimmer with 122cm or 48" Aluminum Pole (PE net)



Economy Leaf Skimmer with Aluminum Pole
T64A 150cm or 60" (PE net)
T64B 120cm or 48" PVC Handle



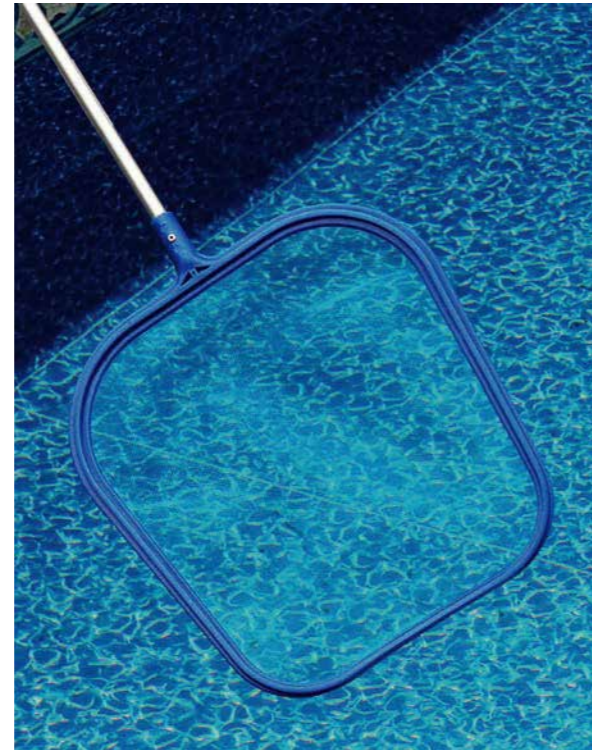
Economy Leaf Skimmer with Aluminum Handle
T128A 122cm or 48" in 5 Section (PE net)
T128B 150cm or 59" in 6 Section (PE net)
T128C 122cm or 48" in 2 Section (PE net)
T128D 96cm or 38" in 4 Section (PE net)

Leaf Skimmers



Economy Leaf Skimmer with Aluminum Telescopic Handle (PE net)

- T302A** 2x24"(dia 22mm & 25mm)
- T302B** 2x30"(dia 22mm & 25mm)
- T302C** 2x36"(dia 22mm & 25mm)
- T302D** 3x16"(dia 22mm, 25mm & 28mm)
- T302E** 3x20"(dia22mm, 25mm & 28mm)
- T302F** 3x24"(dia22mm, 25mm & 28mm)
- T302G** 3x28"(dia22mm, 25mm & 28mm)
- T302H** 3x32"(dia22mm, 25mm & 28mm)



Leaf Rakes



T62 Economy Leaf Rake with 1.25m or 3x16" (dia.20mm) Alum. Telescopic Handle (PE net)



T63 Aluminum Leaf Rake (PE net)



T263 Deluxe Aluminum Frame Leaf Rake



T858 Deep Leaf Rake (Nylon net)



T109 Heavy Duty Aluminum Leaf Rake (Nylon net)



T278 Deluxe Aluminum Leaf Rake



T362 Leaf Rake with Rubber Bumper



T111 Heavy Duty Leaf Rake (Nylon net)



T294 Leaf Rake with Black (Nylon and PP net)

Leaf Rakes



T542 Aluminum Leaf Rake with Edge (Nylon net)



T642 Double Aluminum Frame Leaf Rake with Edge (Nylon net)



T446 Dia 9" Aluminum Circle Rake for spa (Nylon net)



T952 Deluxe Durable Skimmer Net Bottom (PE net)



T738 Leaf Rake with Regular Handle (Nylon net)



T836 Deep Leaf Rake (Nylon net)



T55 Heavy Duty Leaf Rake (Nylon net)



T508 Economy Leaf Rake (Nylon net)



T604 Heavy Duty Deep Rake (Nylon net)

Leaf Rakes



Economy Leaf Rake for Pool & Spa with Telescopic (PE net)

T637A 2x20"(2x50cm) Dia 19mm/22mm

T637B 2x24"(2x60cm) Dia 19mm/22mm



Economy Leaf Rake for Pool & Spa with Telescopic (Nylon net)

T636A 2x20"(2x50cm)

T636B 2x24"(2x60cm)

T636C 3x16"(3x40cm) Dia 16/19/22mm

T636C 3x20"(3x50cm) Dia 16/19/22mm



T638A Economy Leaf Rake with 5 Pieces Alum Handle of 48" (120cm) (Alum Pole Dia 19mm) (Nylon net)

T638B Economy Leaf Rake with 4 Pieces Alum Handle of 56" (142cm) (Alum Pole Dia 19mm) (Nylon net)

T638C Economy Leaf Rake with 5 Pieces Alum Handle of 70" (177cm) (Alum Pole Dia 19mm) (Nylon net)



Brushes



T444 Professional Scrub Brush with Reserve



T444R Replacement Reserve for Item T444



T98 Scrubber Pad Brush



T200 Multi-Function Handle Brush



T545 Scrubber Pad Sponge Brush



T374 10"x4" Scrub Pad Brush with Rotative Screw Nut Handle



T439 Vacuum Corner Brush



T304 Large Handle Brush with Rubber Handle & Bumper



T305 Small Handy Brush with Bumper

Brushes



T306 Corner Brush with Screw Handle



T92 High Quality Finger Brush



T131 5" Wall Brush



T143 5" Stainless Steel Bristles Brush



T223 6" Wall Brush
T224 6" Stainless Steel with Stainless Steel Bristles



T81 10" Wall Brush



T225 10" Wall Brush



T50 10" Stainless Steel Algae Brush



T259 10" Wall Brush with Rubber Bumper

T226 10" Stainless Steel Bristles Brush

Brushes



T337 10" Wall Brush with Rubber Bumper



T853 10" Wall Brush with pp Bristle



T284 14" Wall Brush



T842 18" Wall Brush with pp Bristle



T273 18" Curved Plastic Wall Brush with Bumper



T285 20" Wall Brush



T841 16" wall brush with pp bristle



T51A 18" Deluxe Wall Brush with White Painted Aluminum Back



T58A 18" Transparent Curved Wall Brush Made off Clear PP



T287 20" Wall Brush



T274 20" Heavy Duty Wall Brush



T338 20" Heavy Duty Wall Brush with Rubber Bumper



T58B 18" Standard Curved Wall Brush



T260 18" Wall Brush with Rubber Bumper



T273 18" Curved Plastic Wall Brush with Bumper



T607 20" Heavy Duty Wall Brush



T132 5" Wall Brush with Polished Aluminum Back



T142 5" Stainless Steel Algae Brush with Polished Aluminum Back

Brushes



Brushes



T856 5" Stainless Steel Algae Brush with Polished Aluminum Back



T967 5" Wall Brush with Rubber Bumper with Aluminum Back



T133 10" Wall Brush with Polished Aluminum Back and Spring Clip Handle



T141 10" Stainless Steel Algae Brush with Polished Aluminum Back



T855 10" Wall Brush with pp bristle and aluminum back



T672 12" Injection Soft Bristle Brush Scrubber



T671 13" Injection Soft Bristle Brush with Scrubber



T937 18" Curved Wall Brush with Polished Aluminum Handle

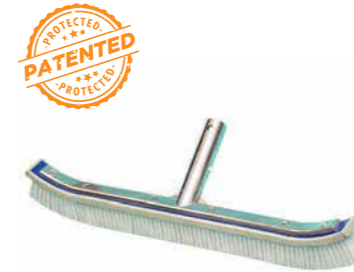


T147A 18" Stainless Steel Algae Brush with White Painted Aluminum Back

Brushes



T147B 18" Stainless Steel Algae Brush with Polished Aluminum Back



T368 18" Wall Brush with Aluminum Back and Rubber Bumper



T286 20" Wall Brush with Aluminum Handle



T854 18" Deluxe Wall Brush with Aluminum Back



T614 20" Flexible Wall Brush-Polished Aluminum Handle



T437 24" Wall Brush with Aluminum Handle with pp Bristles

Brushes



T346 18" Smoth Curved Wall Brush with Wall Whale
Configuration:
T58B/ Wall Whale

T356 18" Curved Wall Brush with Australian Handle and Wall Whale
Configuration:
T58D/ Wall Whale

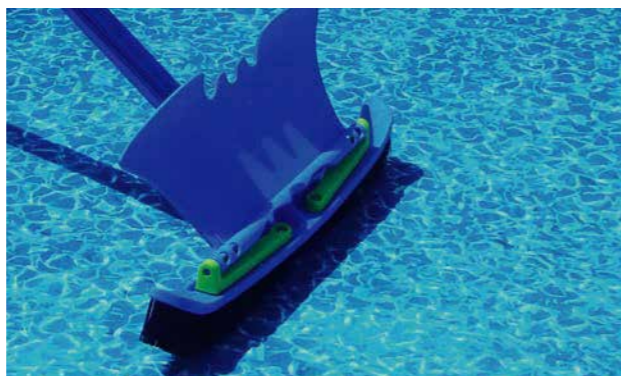
T842 18" Wall Brush with EZ Clip and Wall Whale
Configuration:
T842/ Wall Whale



T336 18" Wall Whale Brush
Configuration:
T51B/ Wall Whale

L008 20" Wall Whale Brush
Configuration:
L008/ Wall Whale

T854A 18" Wall Brush with EZ Clip Aluminum Back and Wall Whale
Configuration:
T854/ Wall Whale



Telescopic Poles/Aluminum Tube



Aluminum Telescopic Pole
T84 2x8' fits SGL and DGL Cam(2x2.4m)
T85 2x6' fits SGL and DGL Cam(2x1.8m)
T86 2x4' fits SGL and DGL Cam(2x1.2m)
T101 3x3' fits SGL Cam Only 3-3/8'(3x1.0m)
T102 3x4' fits SGL Cam Only(3x1.2m)
T103 3x5' fits SGL Cam Only(3x1.5m)

Aluminum Pole (Blue)
L119A/B 2x0.8x1200mm
L119B/B 2x0.8x1800mm
L119C/B 2x0.8x2400mm

Silver Smooth Aluminum Pole with Deluxe Cam and Handle
L120A 2x0.8x1200mm
L120B 2x0.8x1800mm
L120C 2x0.8x2400mm



Telescopic Pole Dia(22mm+25mm+28mm)
T129A 3x14"
T129B 3x16"
T129C 3x17"
T129D 3x20"
T129E 3x24"
T129F 3x28"
T129G 3x32"

Telescopic Pole with Clip Dia(22mm+25mm+28mm)
T144A 3x14"
T144B 3x16"
T144C 3x17"
T144D 3x20"
T144E 3x24"
T144F 3x28"
T144G 3x32"

Smooth Aluminum Pole
T145A 120cm or 48" in 5 Sections
T145B 144cm or 57" in 6 Sections
T145C 96cm or 38" in 4 Sections

Telescopic Poles/Aluminum Tube



Fiberglass Pole with Regular Cam and PVC Handle
L258A 2x8"
L258B 2x6"
L258C 2x4"



SGL CAM Standard Grip Cam and PVC Handle (Suitable for 2 and 3 Sections Poles)



Aluminum Pole with Bayonet Lock (Silver)
L315A 2x0.8x1200mm
L315B 2x0.8x1800mm
L315C 2x0.8x2400mm



DGL CAM Deluxe Grip Cam and ABS Handle (Suitable for 2 Sections Poles only)



Deluxe Metal Cam & PVC Handle (Suitable for 2 Sections Pole Only with Anodize Blue/Silver Color)
T934A 2x0.8x8' (2x2.4m) Alum Telesc Pole
T934B 2x0.8x6' (2x1.8m) Alum Telesc Pole
T934C 2x0.8x4' (2x1.2m) Alum Telesc Pole



Pole Wall Thickness:
 - Standard Thickness 0.031
 - Extra Thicknes 0.04
 - Professional Thickness 0.05
 (Only fits XGL and DGL Cam)

Chemical Dispensers



T57 Dia 5" Floating Chemical Dispenser for 1-1/2" Tablets



T709 Dia 5" Adjustable Floating Chemical Dispenser for 1-1/2" Tablets



T710 Dia 7" Collapsible Chemical Dispenser for 3" Tablets



T124 Dia.5" Floating Chemical Dispenser with Thermometer



T75 Dia 7" Medium Floating Chemical Dispenser for 3" Tablets



T53 Dia 9" Deluxe Floating Chemical Dispenser for 3" Tablets



T441 Dia 5" Collapsible Chemical Dispenser for 1" Tablets



T677 Dia 7" Smart Floating Dispenser for 3" and 4" Tablets



T605 Dia 9" Deluxe Chemical Dispenser (Floating, Collapsible and Capacity Up to 1kg) for 3" & 4" Tablets

Chemical Dispensers



T844 Collapsible Floating dispensers for 3" tablets



T845 Collapsible Floating dispensers for 1.25" tablets



T960 9" Floating Dispenser with Thermometer for 3" and 4" Tablets



T445 Round Floating Dispenser for 3" Tablets



T558F Chemical Dispenser with Slush Molded Animal Design



T558G Chemical Dispenser with Slush Molded Animal Design



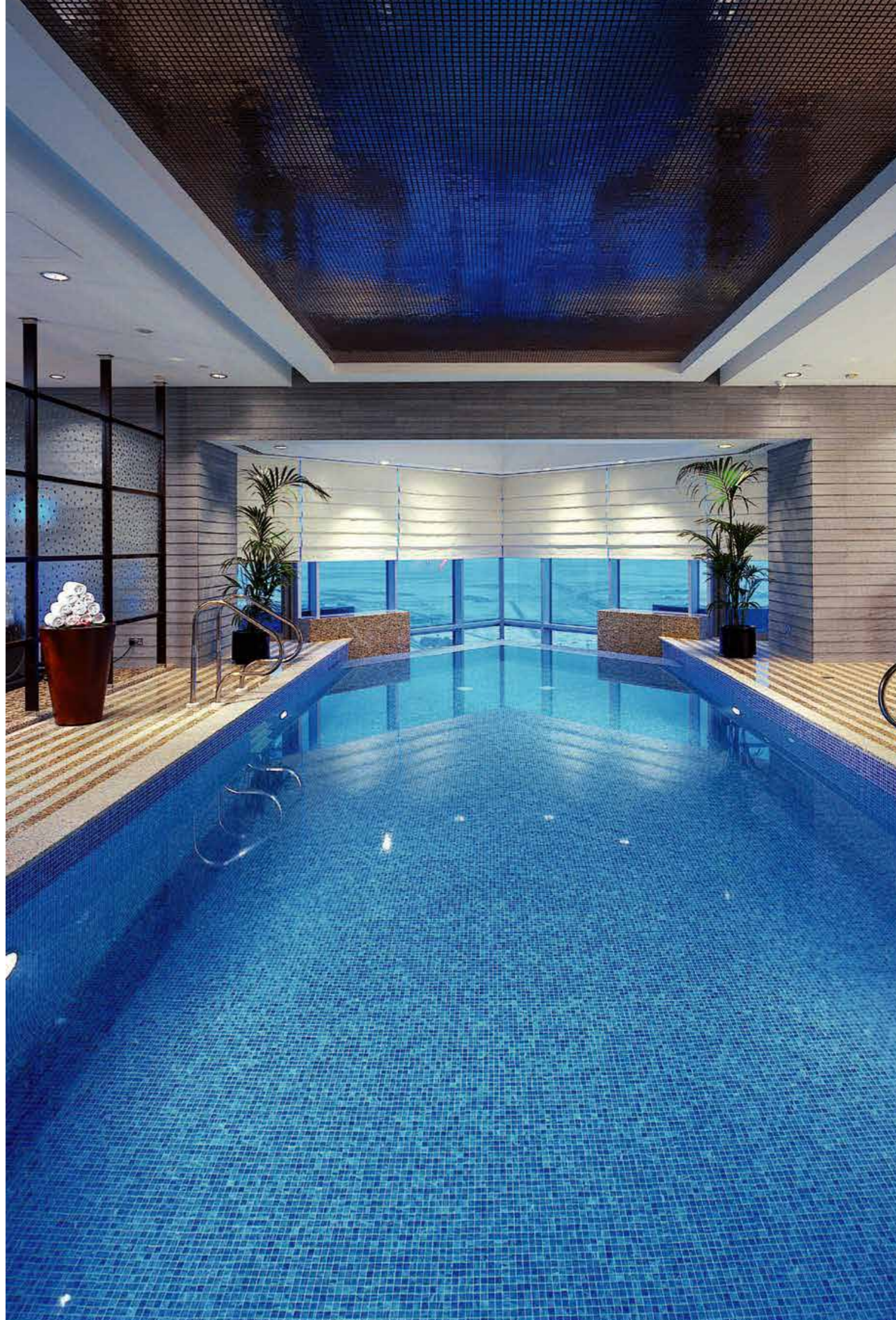
T558T Chemical Dispenser with Slush Molded Animal Design



T558Y Chemical Dispenser with Slush Molded Animal Design



T59 4.2LB (1.9Kg) Inline Chemical Feeder



Pool Kits



- KIT 1**
- T393C Test Kit
 - T55 Leaf Skimmer
 - T56 Deep Rake
 - T58 18" Brush
 - T67 Vacuum Head
 - T78 Thermometer



- KIT 2**
- T52 Leaf Skimmer
 - T67 Vacuum Head
 - T68 Thermometer
 - T81 10" Brush



- KIT 5**
- T52 Leaf Skimmer
 - T54 Test Kit
 - T57 Small Dispenser
 - T79 Thermometer
 - T81 10" Brush
 - T105 Jet Vacuum 150cm (Dia.20mm) Aluminum Pole in 3 Sections



- KIT 10**
- T61 Aluminum Deep Rake (Nylon net)
 - T78 See-through Thermometer
 - T67 Vacuum Head
 - T51 18" Wall Brush with Aluminum Back
 - T458 Basic PH&CL Test Kit (15ml)



- KIT 13**
- T58 18" Brush
 - T54 Test Kit
 - T78 Thermometer
 - T67 Vacuum Head
 - T77 Pole Hanger
 - T63 Aluminum Deep Rake (PE net)



- KIT 14**
- T88 Economy Basic PH&CL Test Kit (15ml)
 - T104 Jet Vacuum with 120cm or 48" Aluminum Pole in 5 Sections
 - T52 Leaf Skimmer with Screw Nut
 - T68 Thermometer



- KIT 7**
- T49 Vacuum Head
 - T52 Leaf Skimmer
 - T54 Test Kit
 - T58 18" Brush
 - T68 Thermometer



- KIT 8**
- T402 Leaf Skimmer
 - T405 10" Brush, 150cm (Dia.20mm) Aluminum Pole in 4 Sections



- KIT 9**
- T55 Deep Rake (Nylon net)
 - T49S Vacuum Head
 - T78 See-through Thermometer
 - T51 18" Brush Aluminum Back
 - T458 Basic PH&CL Test Kit (15ml)
 - T40 Hose Adaptor



- KIT 18**
- T52 Economy Leaf Skimmer
 - T151 Transparent Jumbo Easy Read Thermometer
 - T58 18" Smoothed Curved Wall Brush
 - T67 Triangular Vacuum Head with Swivel



- KIT 19**
- T55 Heavy Duty Leaf Skimmer (Nylon net)
 - T56 Heavy Duty Leaf Skimmer (Nylon net)
 - T51 18" Wall Brush with Polished Aluminum Back
 - T90 Deluxe Vacuum Head with Swivel and Side Brushes



- KIT 25**
- T54 Basic PH&CL Test Kit
 - T68 Economy Thermometer
 - T50 10" Stainless Steel Bristles Brush
 - T62 Economy Leaf Rake
 - T70 Vacuum Head

Auto Cleaner



Application : Above-ground Pool

Feature :

- Durable, Convenient and Efficient
- Quick Installation without tools
- 8pcs*0.8m quality spiral wound hoses included
- Flow regulator included
- Work with 0.15HP(120W or 4CBM/H) pump

Item n°	Description	Configuration	
T705A	Small Automatic Pool Cleaner with Spiral Wound Hose and Universal Flow Regulator	Body/ 4 Types Connectors Dia. 32mm x 8pcsx 80cm	Universal Adapter Float Ring x1 Universal Flow Regulator
T705D	Small Automatic Pool Cleaner with Spiral Wound Hose and 90" Flow Regulator		Float Ring x1 90" Flow Regulator



Application : In-ground and Above-ground Pool

Feature :

- Durable, Convenient and Efficient
- Quick Installation without tools
- To clean both pool wall and bottom
- Quality spiral wound hoses included
- Flow regulator included
- Work with 0.75HP(560W or 12CBM/H) pump
- Easy removal of debris from ball head

Item n°	Description	Configuration	
T702A	Automatic Pool Cleaner with Long Curved Weight and Easy Clean Ball Head	Body/Float Ring/Flow Regulator/ Universal Adapte	0.8m x 10 pcs Hoses
T702B			0.8 x 12 pcs Hoses
T702C			0.8 x 14 pcs Hoses



Auto Cleaner



Application : In-ground and Above-ground Pool

Feature :

- Durable, Convenient and Efficient
- Quick Installation without tools
- To clean both pool wall and bottom
- Quality spiral wound hoses included
- Flow regulator included
- Work with 0.75HP(560W or 12CBM/H) pump
- Easy removal of debris from ball head

Item n°	Description	Configuration	
T493A	Automatic Pool Cleaner with Long Curved Weight	Body/Float Ring/Flow Regulator/ Universal Adapter	0.8m x 10 pcs Hoses
T493B			0.8 x 12 pcs Hoses
T493C			0.8 x 14 pcs Hoses

Auto Cleaner

**Feature :**

- Durable, Convenient and Efficient
- Diaphragm included to drive the moving of cleaner
- 3000hrs lifetime of Diaphragm
- Quick Installation without tools
- To clean both pool wall and bottom
- Quiet working without flapper or noise
- Quality spiral wounded hoses included
- Flow regulator included
- Work with 0.33HP(250W or 8CBM/H) pump
- Working speed adjustable by automatic regulator valve

Item n°	Description	Configuration
T860A	Automatic Pool Cleaner	Body/ Deflector Wheel/ Universal Adapter/Hose Weight/Flow Regulator/ Suction Test Gauge
T860B		0.8m x 10 pcs Hoses
T860C		0.8 x 12 pcs Hoses
		0.8 x 14 pcs Hoses

Auto Cleaner

**Feature :**

- Durable, Convenient and Efficient
- Quick Installation without tools
- To clean both pool wall and bottom
- Quality spiral wounded hoses included
- Flow regulator included
- Work with 0.75HP(560W or 12CBM/H) pump
- Easy removal of debris from ball head

Item n°	Description	Configuration
T868A	Automatic Pool Cleaner	Body/ Deflector Wheel/ Universal Adapter/Hose Weight/Flow Regulator/ Suction Test Gauge
T868B		0.8m x 10 pcs Hoses
T868C		0.8 x 12 pcs Hoses
		0.8 x 14 pcs Hoses



Auto Cleaner Parts



T493-4 Skirt Disk



T493-5 Round Foot Pad



L039-3 Disk with Tentacles



L039-2 Polygon Foot Pad



T702A-6 Float Ring



L058 Diaphragm with Clamp Ring



T494-3 Elbow Connector



T493-A Universal Adapter



T493-15 Flow Regulator



 Use pool chemicals exactly as directed. Follow all precautions for storage as well as use of protective equipment and clothing.

Testing the Water Chemistry

During the swim season test your water weekly.

Step 1

Pool pH test strips. Check the water balance with a test kit. Dip the test strip in the water and compare it to the chart. The pH should be between 7.2 and 7.6. Use a pH increaser or decreaser accordingly.

Step 2

Check the sanitizer levels. Sanitizers either contain chlorine (most common), salt or bromine.

Chlorine levels should be between 1 and 4 parts per million. If they're high, don't worry. The sun burns off chlorine.

Step 3

Shock the water. Pool shock helps destroy contaminants in your water. It's best to add shock weekly, as well as before and after pool parties, after storms, and during periods of high temperatures.

Step 4

Add algaecide weekly. This is a good preventative measure to slow down algae growth.

Common Water Problems

Cloudy Water

Poor circulation, poor filtration and improper water balance can lead to cloudy pool water. Test the water frequently and correct as needed to help keep the water clear. Shock or a water clarifier can help do the trick. Follow the directions on the product label.

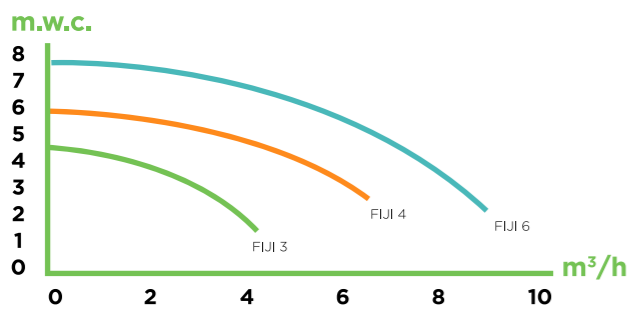
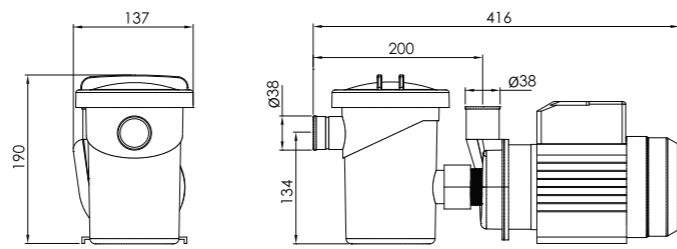
Algae Growth

Algae growing on the surfaces can be caused by lack of sanitizer or preventative algaecide, or poor water balance. A high pH will impact how well your sanitizer performs. If algae is a problem, balance the water. Then add an algae treatment and clean all the surfaces. Use algaecide on a weekly basis as preventative maintenance.

Water Pumps



FIJI PUMP



MODEL	CODE	Hp	Hmax (m)	Voltage (V)	Frecuency (Hz)	Imp. Power (W)	Current (A)	rpm	H nom (m)	Q nom (m3/h)
FIJI 3	04010601	0.18	4.20	230	50	125	0.55	2760	2.50	3
FIJI 4	04010602	0.24	6.50	230	50	180	0.80	2620	4.50	4
FIJI 6	04010603	0.30	7.50	230	50	230	1.00	2700	5.00	6

Fiji is a high performance pump for above ground pools. It doesn't matter the pool type it always works delivering the requested flow and pressure.

They are built to be easy to operate including features like, see-through lid for easy inspection. Motor materials are rustproof, stainless steel motor shaft and sealed bearings that never need lubrication and last generation plastic materials are used for the housing.

Available from 0,18Hp up to 0,3Hp. They are provided with single phase motors.

A pre-filter has been added to prevent the entry of any foreign bodies which could cause damage to the hydraulic parts of the pump.

Fiji is quiet due to its hydraulic design providing comfort when using your aboveground pool.

All the material have been selected with a unique target that is make Alaska Strong and Durable.

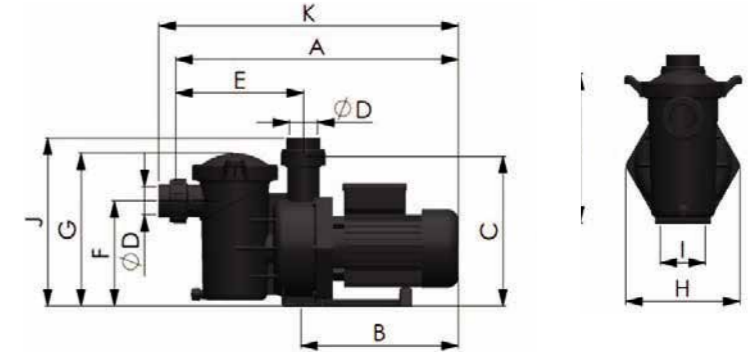
Every Fiji pump is performance and pressure tested prior to shipment to ensure superior quality.

These pumps are "GS" certified.

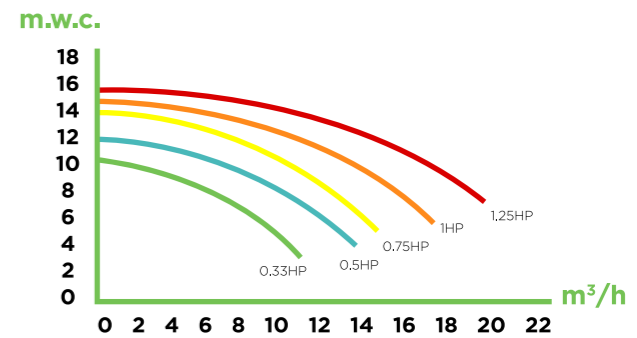
Water Pumps



SPARTA PUMP



CODE	MODEL	TYPE	H m.w.c.	Flow m³/h
04010G01	033	230V 50Hz SINGLE PHASE	6	7
04010G02	055		8	7.8
04010G03	075		10	8.1
04010G04	100		12	8.8
04010G05	125		12	11.5



	CODE	MODEL	A	B	C	D	E	F	G	H	I	J	K
			(mm)										
SINGLE PHASE	04010G01	033	447	225	269	230.5	189	274	205	82	50	297	472
	04010G02	050	470	248	269	230.5	189	274	205	82	50	297	495
	04010G03	075	490	268	269	230.5	189	274	205	82	50	297	515
	04010G04	100	490	268	269	230.5	189	274	205	82	50	297	515
	04010G05	125	500	278	269	230.5	189	274	205	82	50	297	525

SPARTA pumps are designed to work under a vast type of conditions. It doesn't matter the pool type it always works delivering the requested flow and pressure.

SPARTA range is built to be easy to operate including features just like, see-through lid for easy inspection and a large strainer extends time between cleanings. Motor materials are rustproof, steel motor shaft and sealed bearings that never need lubrication. Its thermoplastic housing withstands extreme heat and resist corrosion.

Five models are available 033, 050, 075, 100 and 125 with a new impeller design.

SPARTA is easy to maintain, see-through lid, large strainer and easy-to-remove drain caps for fast winterization and less chances to leak. these and other features make it an all around pump.

A new cover nut makes easy maintenance operations in the strainer.

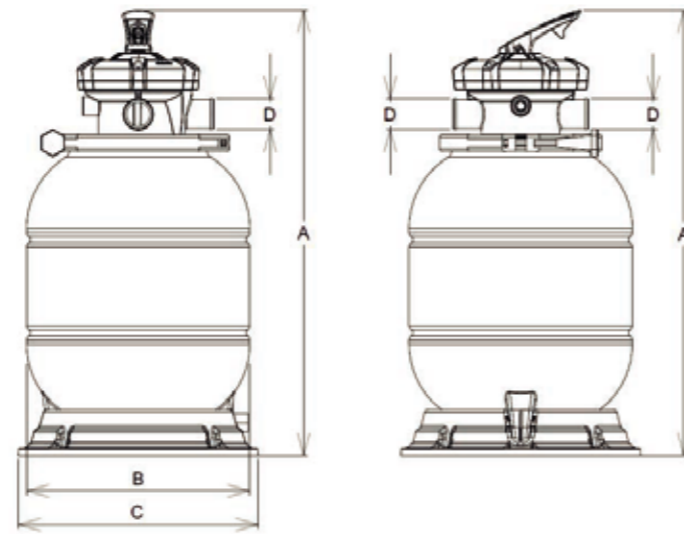
All the material have been selected with a unique target that is to make SPARTA Strong and Durable.

Every SPARTA pump is performance and pressure tested prior to shipment to ensure superior quality.

Other options like 230V and 60Hz motors and ASTM/BS connections are available. For further information please contact with the factory.

TUV GS Certified

Filter Tanks



This filtration systems are the ideal solution for above ground pools. Easy to assembly and operate, reliable.

The filter range features a one-piece blow molded body with no joints. It is made of HDPE plastic that is weather and chemical resistant. The filter assembled on a plastic base with all the necessary accessories.

It is available on 300mm/12" and 400mm/16" filter tanks.

An aesthetic 1,25" - 5 way multiport top mount valve is included. The design of the valve makes it reliable on all the working conditions.

Suggestion for pump potency is from 80W up to 250W.

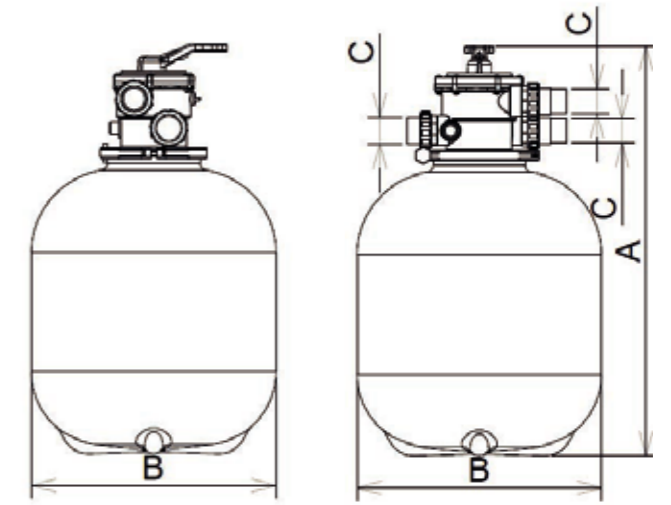
Max working pressure: 150Kpa;

Testing pressure: 250Kpa;

Testing standard: NSF stand 50

Code		T711	T714	T712
Filter Dia.	mm	300	320	400
MPV		5ways /1.25"	5ways /1.25"	5ways /1.25"
A	mm	590	590	693
B	mm	300	320	400
C	mm	322	322	322
D	mm	38	38	38
Sand Filling	Kg	20	28	40
Grain Size	mm	0.4-0.8	0.4-0.8	0.4-0.8
Suggestion Filter Speed	m ³ /h/m ²	50	50	50
Max Working Pressure	KPa	80	80	80
Test Pressure	KPa	110	110	110
Suggestion for Pump Potency	W	80 - 125	80 - 125	125 - 230

Filter Tanks



This filtration systems are the ideal solution for above ground pools. Easy to assembly and operate, reliable.

The filter range features a one-piece blow molded body with no joints. It is made of HDPE plastic that is weather and chemical resistant. The filter assembled with all the necessary accessories.

It is available on 500mm/20" and 600mm/24" filter tanks.

An aesthetic 1,25" - 5 way or 1.5"-6 way multiport top mount valve is included. The design of the valve makes it reliable on all the working conditions.

Suggestion for pump potency is from 550W up to 920W.

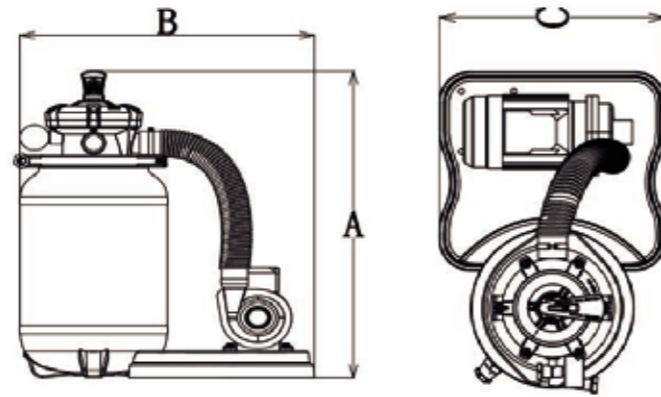
Max working pressure: 250Kpa;

Testing pressure: 350Kpa;

Testing standard: NSF stand 50

Code		T968		T969	
Filter Dia.	mm	500		600	
MPV		5ways /1.25"	6ways /1.5"	5ways /1.25"	6ways /1.5"
A	mm	775	825	895	945
B	mm	500		600	
C	mm	38	50	38	50
Sand Filling	Kg	80		150	
Grain Size	mm	0.4 - 0.8			
Suggestion Filter Speed	m ³ /h/m ²	50			
Max Working Pressure	KPa	250			
Test Pressure	KPa	350			
Suggestion for Pump Potency	W	550 - 920			

Monoblock



This filtration systems are the ideal solution for above ground pools. Easy to assembly and operate, reliable.

The filter range features a one-piece blow molded body with no joints. It is made of HDPE plastic that is weather and chemical resistant. The filter assembled on a plastic base with all the necessary accessories.

It is available on 250mm/10" filter tanks.

An aesthetic 1,25" - 5 way multiport top mount valve is included. The design of the valve makes it reliable on all the working conditions.

Suggestion for pump potency is from 80W up to 125W.

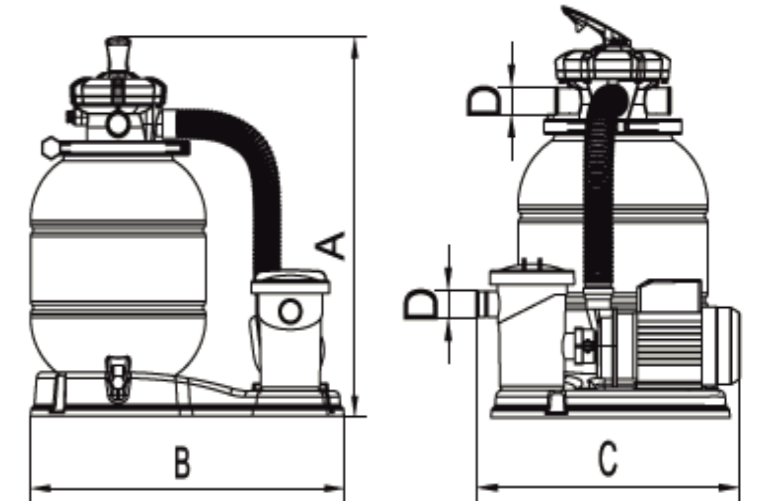
Max working pressure: 80Kpa;

Testing pressure: 150Kpa;

Testing standard: NSF stand 50

Code		T620
Filter Dia.	mm	250
MPV		5ways /1.25"
A	mm	584
B	mm	508
C	mm	356
Sand Filling	Kg	14
Grain Size	mm	0.4-0.8
Suggestion Filter Speed	m ³ /h/m ²	50
Max Working Pressure	KPa	80
Test Pressure	KPa	110
Suggestion for Pump Potency	W	80-125

Samoa



SAMOA filtration systems are the ideal solution for above ground pools. Easy to assembly and operate, quiet are reliable.

The filter range features a one-piece blow molded body with no joints. It is made of HDPE plastic that is weather and chemical resistant. The filter assembled on a plastic base with a Fiji pump and all the necessary accessories.

Samoa is available on 300mm/12" and 400mm/16" filter tanks.

An aesthetic 1,25" - 5 way multiport top mount valve is included. The design of the valve makes it reliable on all the working conditions.

Fiji pump is available from 0,18Hp through 0,24Hp up to 0,30Hp with single phase motors in 230V and 50Hz.

A pre-filter prevents the entry of any foreign bodies which could cause damage to the hydraulic parts of the pump.

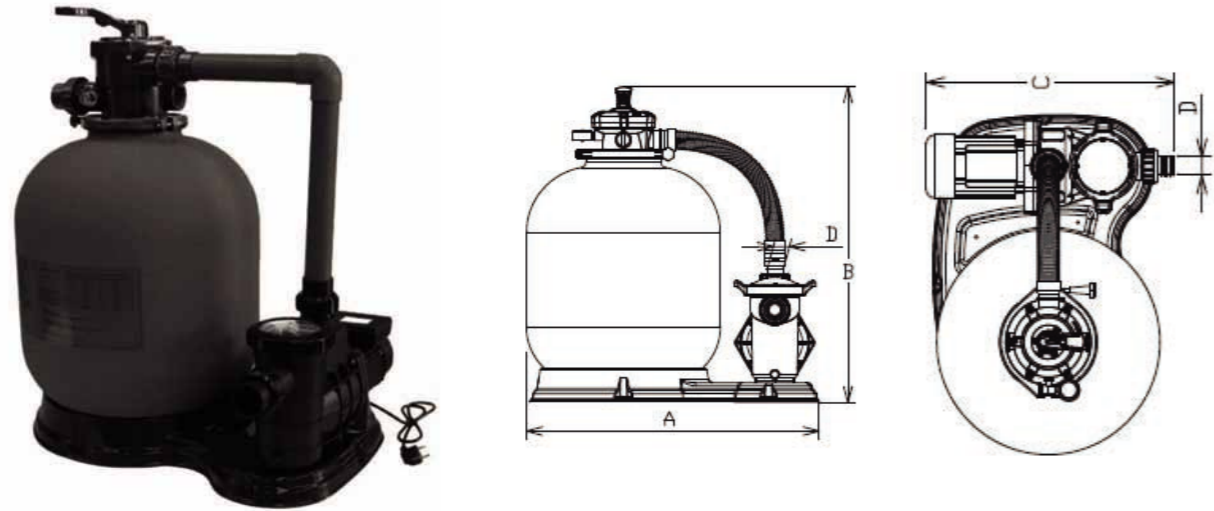
The motors are supplied with the motor pump unit and have been protected with IP-55 protection to hold hot atmospheres and high humidity levels.

Fiji pumps are "GS" certified.

Samoa filtration system is CE certified by SGS.

Model		SAMOA 300	SAMOA 301	SAMOA 320	SAMOA 400
Code		T615-300	T615-301	T713	T616
Filter Dia.	mm	300	300	320	400
Pump	Hp/V /Hz	0.18/230 /50	0.24/230 /50	0.24/230 /50	0.32/230 /50
MPV		5ways /1.25"	5ways /1.25"	5ways /1.25"	5ways /1.25"
Flow Rate	m ³ /h	3	4	4	6
Filtration Speed	m ³ /h /m ²	42	56	50	48
A	mm	600	600	600	710
B	mm	540	540	540	590
C	mm	420	420	420	420
D	mm	38	38	38	38
Max Working Pressure	KPa	80	80	80	80
Test Pressure	KPa	110	110	110	110
Sand Filling	Kg	20	20	28	40
Grain Size	mm	0.4 - 0.8	0.4 - 0.8	0.4 - 0.8	0.4 - 0.8

Monoblock



This filtration systems are the ideal solution for above ground pools. Easy to assembly and operate, reliable.

The filter range features a one-piece blow molded body with no joints. It is made of HDPE plastic that is weather and chemical resistant. The filter assembled on a plastic base with all the necessary accessories.

It is available on 500mm/20" and 600mm/24" filter tanks.

An aesthetic 1,25" - 5 way or 1.5"-6 way multiport top mount valve is included. The design of the valve makes it reliable on all the working conditions.

Suggestion for pump potency is from 550W up to 920W.

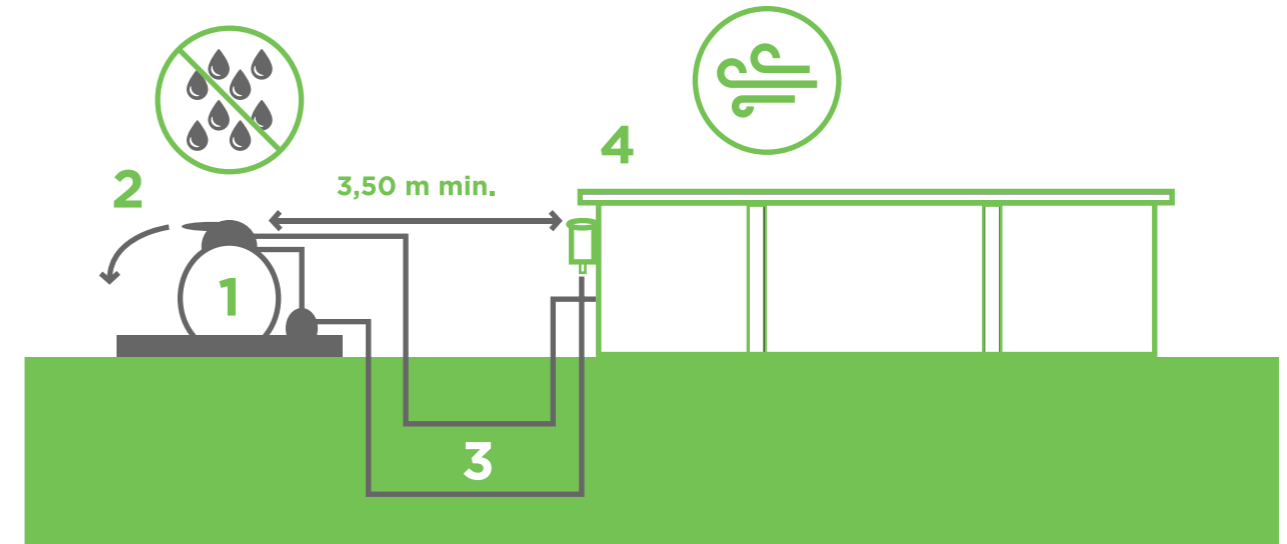
Max working pressure: 250Kpa;


Testing pressure: 350Kpa;

Testing standard: NSF stand 50

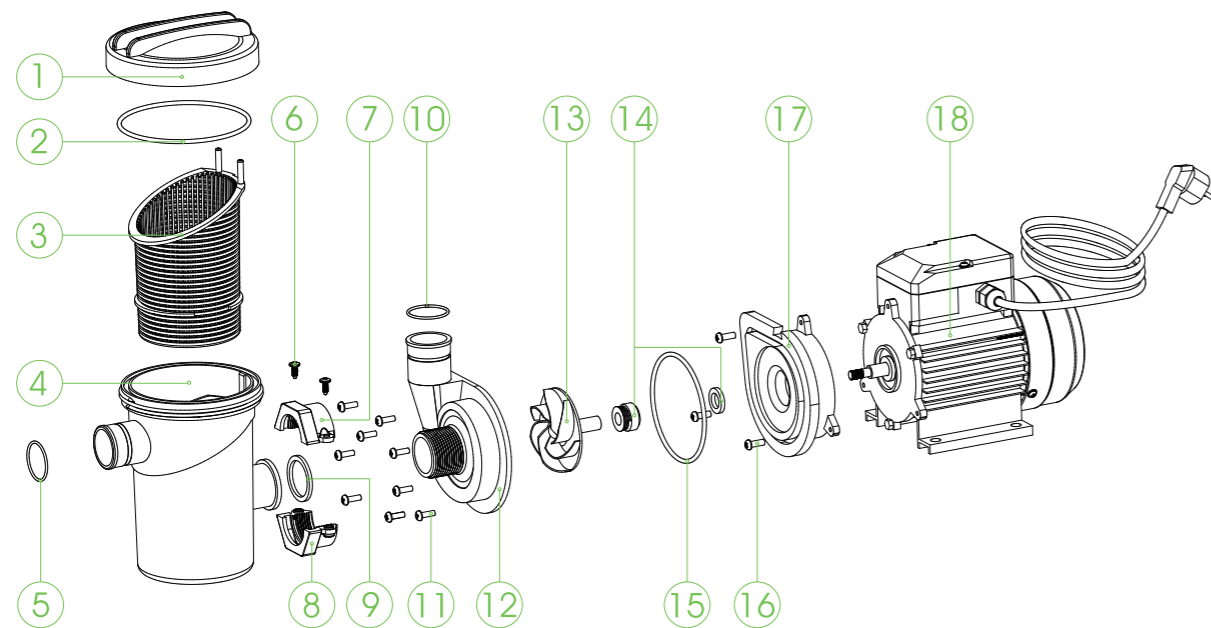
Code		T968C		T969C	
Filter Dia.	mm	500		600	
MPV		5ways /1.25"	6ways /1.5"	5ways /1.25"	6ways /1.5"
Pump	HP/V/Hz	0.75/230/50		1.25/230/50	
A	mm	755		805	
B	mm	820	870	940	990
C	mm	556		556	
D	mm	38	50	38	50
Sand Filling	Kg	80		150	
Grain Size	mm	0.4 - 0.8		0.4 - 0.8	
Suggestion Filter Speed	m ³ /h/m ²	50			
Max Working Pressure	KPa	250			
Test Pressure	KPa	350			
Suggestion for Pump Potency	W	550 - 920		550 - 920	

FILTER PREVISIONS



- 1 FILTER GROUP**
The filter group and especially the electric pump should necessarily be located at a distance of at least 3.5 metres from the bowl (electricity regulation NFC-100).
 - 2 WATER EVACUATION**
Maintenance and wintering of the filter requires water evacuation. The evacuation should be foreseen when installing the filter group.
 - 3 FILTER TUBE**
In the case you want to bury the filter tubes, these should be protected against risk of deterioration, by protecting them with a cover before burying them.
 - 4 POOL ORIENTATION**
The pool should be positioned so the skimmer is facing the prevailing winds. The skimmer is a very important element in the filter system and is always installed facing the prevailing winds. The optimum filtering of the pool water depends on the suction capacity and position of the skimmer.
-  The filter group should be located below the level of the pool and ideally at floor level of the pool, otherwise there is a risk of the pump becoming deactivated. The filter pump should be protected from splashing of water, from floods, and from humidity, in a dry, well ventilated place. Otherwise, the metallic pieces and the pump motor may become deteriorated.

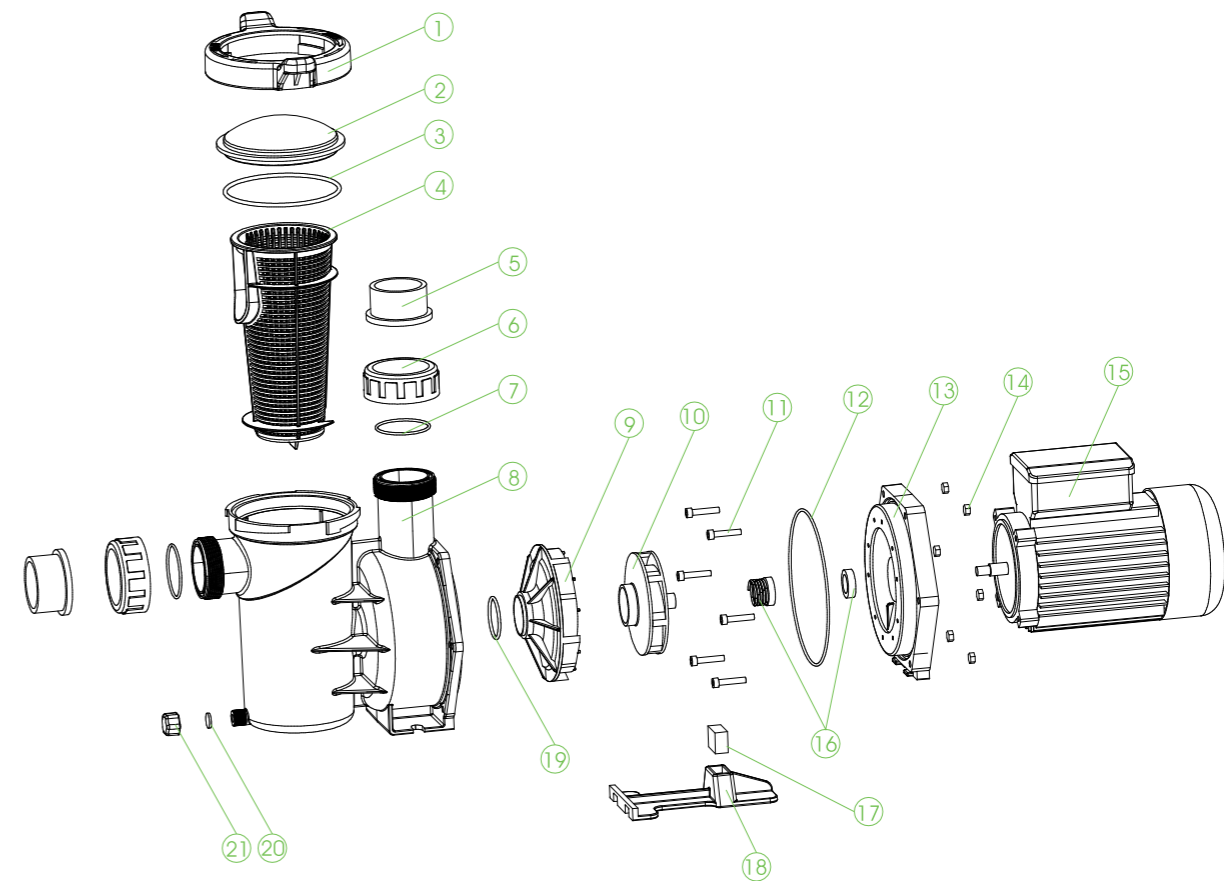
Fiji Pump Spare Parts List



Code	Spare Parts Code	Description	Quantity
1	04010600-0001	Transparent cover	1
2	04010600-0002	O-ring Ø110*3.5	1
3	04010600-0012	Pre-filter basket	1
4	04010600-0010	Pre-filter basket housing	1
5	04010600-0005	O-Ring	1
6	04010600-0007	Plastic self-tapping screws	2
7	04010600-0008	Half nut A	1
8	04010600-0009	Half nut B	1
9	04010600-0006	Flat washer	1
10	04010600-0031	O-Ring Ø37*2.7	1
11	04010600-0029	"+" tapping screw/big head	9
12	04010600-0016	The pump casing	1
13	04010601G-0001	Impeller for 04010601	1
	04010602G-0001	Impeller for 04010602	1
	04010603G-0001	Impeller for 04010603	1
14	04010600-0024	Mechanical seal	1
15	04010600-0030	O-Ring Ø95*3.5	1
16	04010600-0028	"+" Screw with round head	3
17	04010600-0017	Connection cover	1
18	04010601G-0100	Motor for 04010601	1
	04010602G-0100	Motor for 04010602	1
	04010603G-0100	Motor for 04010603	1

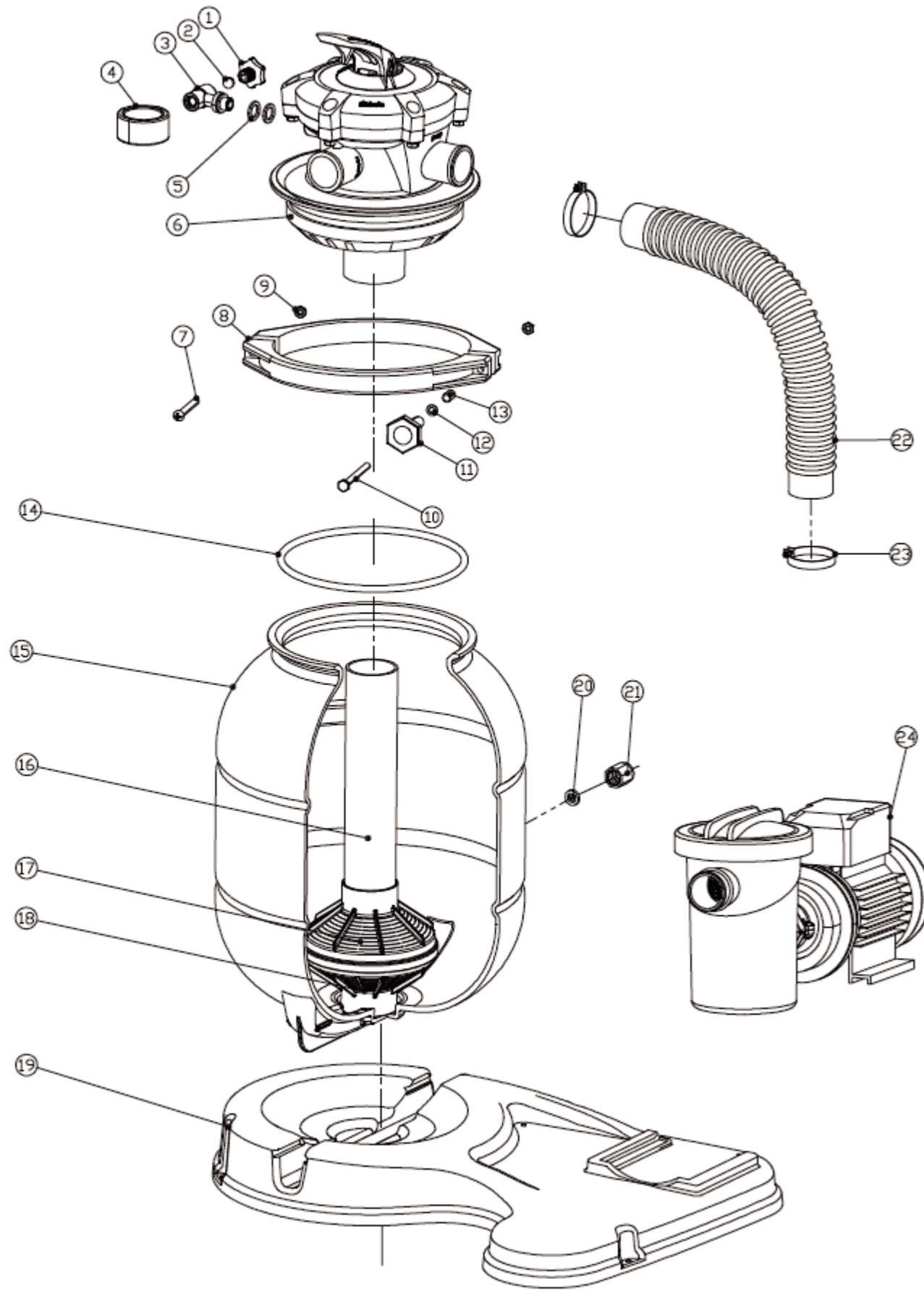
We reserve the right to change all or part of the features of the articles or contents of this document, without prior notice.

Sparta Pump Spare Parts List



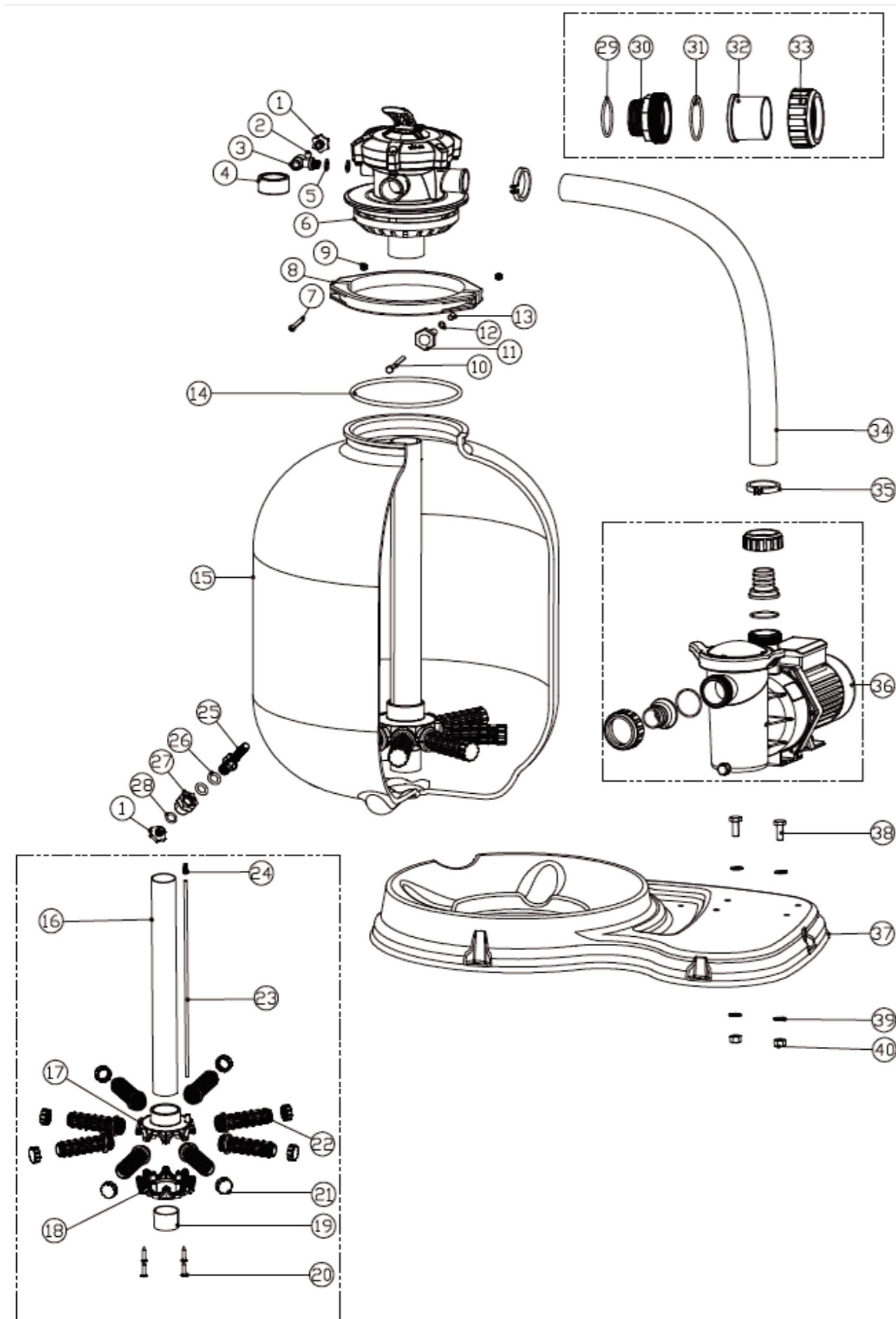
Code	Spare Parts Code	Description	Quantity
1	04010G00-0002	Locking cover	1
2	04010G00-0001	PC cover	1
3	04010G00-0003	O ring	1
4	04010500-0004	Pre-filter basket	1
5	04010200-0006	House union	2
6	04010200-0007	Union Nut	2
7	04010200-0005	O ring	2
8	04010G00-0006	Pump body	1
9	04010G00-0010	Diffusor	1
10	04010G00-0011	0.33HP impeller	1
	04010G00-0012	0.50HP impeller	1
	04010G00-0013	0.75HP impeller	1
	04010G00-0014	1HP impeller	1
	04010G00-0015	1.25HP impeller	1
11	04010G00-0019	Hex socket screw	6
12	04010G00-0016	O ring	1
13	04010G00-0018	Motor adapter	1
14	45844-0003	Nut	6
15	04010G01-0100	Sparta 033 motor	1
	04010G02-0100	Sparta 050 motor	1
	04010G03-0100	Sparta 075 motor	1
	04010G04-0100	Sparta 100 motor	1
	04010G05-0100	Sparta 125 motor	1
16	04010G00-0017	Mechanical seal	1
17	04010G00-0008	Support rubber (033-075)	1
	04010G00-0020	Support rubber (100-125)	1
18	04010G00-0007	Pump base	1
19	04010G00-0009	O ring	1
20	04010G00-0004	Flat gasket	1
21	04010G00-0005	Drain plug	1

Spare Parts List for Samon 300,301,400



Item	Spare Parts Code	Description	Qty	Remark
1	T9680-08A	M6 Square Bolt	1	
2	T5360-21 C	Rubber Gasket	1	
3	T5360-21A	Exhaust Body	1	
4	T5360-220	Pressure Gauge (0-1bar)	1	
5	T5360-21B	Gasket	2	
6	T5360-110	1.25" Top Mounted Valve	1	
7	T5360-1 6A	M6*45 Stainless Bolt	1	
8	T5360-080	Plastic Clamp	2	
9	T5360-1 6D	M 6 Stainless Nut	2	
10	T5360-1 6F	M6*80 Stainless Bolt	1	
11	T5360-070	Handle	1	
12	T5360-16C	D12*1.6 Stainless Gasket	1	
13	T5360-16B	D10*20 Stainless Tube	1	
14	T5360-16E	O Ring	1	
15	T5360-100	D300mm Filter Tank	1	Samoa 300/301
	T6160-010	D400mm Filter Tank	1	Samoa 400
16	T5360-09B	Hose 233mm	1	Samoa 300/301
	T5360-09A	Hose 318mm	1	Samoa 400
17	T5360-030	Top Collector cover	1	
18	T5360-040	Bottom Collector cover	1	
19	T6150-010	Base	1	
20	T5360-120	Rubber Gasket	1	Samoa 300/301
	T5360-120	Rubber Gasket	2	Samoa 400
21	T5360-050	Black Nut	1	
22	T9080-000	Hose Dia: 38mm 550mm	1	
23	T4080-000	Hose Clamps	6	
24	T615A-010	Pump (Fiji3, 125W)	1	Samoa 300
	T615B-010	Pump (Fiji4, 180W)	1	Samoa 301
	T615 D-010	Pump (Fiji6, 230W)	1	Samoa 400

Spare Parts List for Monoblock T968C, T969C



Item	Spare Parts Code	Description	Qty	Remark
1	T9680-08A	M6 Square Bolt	2	
2	T5360-21 C	Rubber Gasket	1	
3	T5360-21A	Exhaust Body	1	
4	T100SM	Pressure Gauge (0-1bar)	1	
5	T5360-21B	Gasket	2	
6	T5360-110	1.25" Top Mounted Valve	1	T968/T969
	T9680-060	1.5 " Top Mounted Valve	1	T968/T969
7	T9680-180	M6*45 Stainless Bolt	1	
8	T9680-020	Plastic Clamp	2	
9	T5360-16D	M6 Stainless Nut	2	
10	T5360-16F	M6*80 Stainless Bolt	1	
11	T5360-070	Handle	1	
12	T5360-16C	D12*1.6 Stainless Gasket	1	
13	T5360-16B	D10*20 Stainless Tube	1	
14	T5360-16E	O Ring	1	
15	T9680-010	D500mm Filter Tank	1	T968
	T9690-010	D600mm Filter Tank	1	T969
16	T9680-050	Hose 470mm	1	T968
	T9690-040	Hose 563mm	1	T969
17	T9680-07A	Top Collector cover	1	
18	T9680-07B	Bottom Collector cover	1	
19	T9680-120	Tube 35mm	1	T968
	T9690-050	Tube 70mm	1	T969
20	T9680-140	M4*20mm Stainless Bolt	4	
21	T9680-130	Cover of Collector	8	
22	T9680-030	L110 Collector	8	T968
	T9690-020	L170 Collector	8	T969
23	T9680-040	Gas Tube 419mm	1	T968
	T9690-040	Gas Tube 500mm	1	T969
24	T9680-090	Gas Nut	1	
25	T9680-08C	Plastic Nut	1	
26	T9680-08E	O-ring	2	
27	T9680-08D	B	1	
28	T9680-08B	O-ring	1	
29	T9680-11D	O-ring 42mm* 3.2mm	2	
30	T9680-11C	Male Part	2	
31	T9680-11D	O-ring 52.8mm* 3mm)	2	
32	T9680-11A	50 Connector	2	
33	T9680-11B	Nut	2	
34	T968C-B20	Hose	1	
35	T4080-000	Hose Clamps	4	
36	P0750-000	SPARTA075 (550W/230V)	1	T968
	P1250-000	SPARTA125 (920W/230V)	1	T969
37	T9680-150	D500mm Filter Tank Base	1	T968
	T9690-060	D600mm Filter Tank Base	1	T969
38	T968C-B1A	M10*25 Nut	2	
39	T968C-B1C	M10 Gasket	4	
40	T968C-B1B	M10*7.3 Nut	2	

Vacuum Hoses



Cuttuble Hose, Each Section

T908 Dia. 1-1/2" 1.5m

T909 Dia. 1-1/4" 1m



Blow Molded Vacuum Hose with Standar Cuff
Dia. 1-1/4"

T430A 9m

T430B 11m

T430C 13m

T430D 15m



Blow Molded Vacuum Hose with Standar Cuff
Dia. 1-1/2"

T110A 9m

T110B 11m

T110C 13m

T110D 15m



Spiral Wound Vacuum Hose (2 Color) with Standard Cuff Dia. 1-1/4"

T135A 9m

T135B 11m

T135C 13m

T135D 15m



Spiral Wound Vacuum Hose (2 Color) with Standard Cuff Dia. 1-1/2"

T134A 9m

T134B 11m

T134C 13m

T134D 15m



T442 50" Vacuum Hose Reel

Vacuum Hoses



Auto cleaner Hose with Molded Cuffs (Dia. 1-1/2")

T432A 80cm

T432B 1m

T432C 1.2m

T432D 1.5m



Filter Connector Hose Blow Molded /PE (Dia. 1-1/2")

T903 3ft

T904 6ft



Economy Blue Backwash Hose (Dia. 1-1/4")

T146A 7.62m

T146B 25cm

T146C 50cm

T146D 100m

T146E 200m

T146F 15m

T146G 30m

T146H 60m



Economy Blue Backwash Hose (Dia. 1-1/2")

T127A 7.62m

T127B 25cm

T127C 50cm

T127D 100m

T127E 200m

T127F 15m

T127G 30m

T127H 60m



Economy Blue Backwash Hose (Dia. 2")

T148A 7.62m

T148B 25cm

T148C 50cm

T148D 100m

T148E 200m

T148F 15m

T148G 30m

T148H 60m

Thermometers



T381C Round Thermometer Crocodile



T381D Round Thermometer Dolphin



T381F Round Thermometer Frog



T381G Round Thermometer Grey Whale



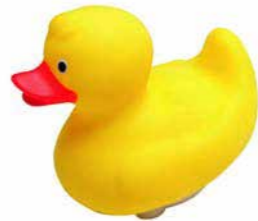
T381W Round Thermometer Walrus



T381YD Round Thermometer Yellow Duck



T696 Animal Thermometer with LED Light



T696B Animal with LED Light



T554 16-1/2" EZ Read Floating Thermometer

Thermometers



T80 Animal Floating Thermometer (Yellow Duck, Gold Fish, Blue Whale, Turtle)



T557 10-1/2" EZ Read Floating Thermometer



Floating Animal Thermometer
T208YD Mini Yellow Duck
T208F Mini Frog



T68 6" Small Economy Thermometer
T69 10" Large Economy Thermometer



7" Deluxe Floating Thermometer
T78 White Color
T78S See Through Blue



7" Round Thermometer
T79 White Body with Blue Cap
T79B Blue Body with White Cap
T79C Green Body with White Cap
T79D Yellow Body with White Cap
T79E White Body with White Cap



3x10" Jumbo Easy Read Thermometer
T73 (White, Blue, Yellow)
T73W (White)
T73Y (Yellow)



8-3/4" Jim Buoy Thermometer
T74 (White Color)
T74S (See Through Blue)

Thermometers



T151 3x10" Jumbo Easy Read Thermometer with Cord (See-through Blue)



T152 Chrome Plated Round Thermometer (6-3/4" Chrome Plated Round Thermometer)



T207 Dia. 3" Floating Solar Digital Thermometer



T383 Floating Animal Thermometer
A/B/
C/D
F



T699 Dia. 3" Floating Dial Thermometer



T389 Dia. 8" Large Floating Dial Thermometer



T389B Dia. 5" Large Floating Dial Thermometer

Test and Repair Kits



T54 Basic PH & CL Test Kit (15ml)



T458 Basic PH & CL Test Kit (15ml)



T639 Test Tablets Chlorine pH (Deluxe)



T88 Test Kit Refill (15ml)



T88K Economy Basic pH & CL Kit(15ml)



T581 Test Tablets



Vinyl Repair Kit
T413 60ml
T431 15ml
T414 30ml



T393C 3 in 1 pH or Free Chlorine/ Total Alklineity
T393D 4 in 1 pH or Free Chlorine/ Total Bromine, pH and Total Alklineity
T393E 5 in 1 pH or Free Chlorine/ Total Chlorine, Total Alklineity and Total Hardness
T393F 6 in 1 pH or Free Chlorine/ Total Chlorine, Total Alklineity and Total Hardness and Cyanuric Acid

T393A 1 in 1 pH or Free Chlorine
T393B 2 in 1 pH or Free Chlorine

Pool Cover Reel



T390 Cover Reel Stands for Above Ground Pool with Fixation Plates (Length Tube is Optional) -Without Tube



T396 Solar Roller for Above Ground Pool (without Tube)



T246 16" to 22" White Painted (3" Dia in 3 Section of 8") Tube for Solar Roller for 396



Pool Cover Reel Stand
ST01 Aluminum Frame Tube 40mm
ST02 Stainless Steel Frame Tube 40mm



Pool Cover Reel Stand
ST03 Aluminum Frame Tube 50mm
ST04 Stainless Steel Frame Tube 50mm



Pool Cover Reel Stand with Gear Reduction System
ST05 Aluminum Frame Tube 50mm
ST06 Stainless Steel Frame Tube 50mm



TB01 Non-Grooved Anodized Aluminum Tube
 Thickness: 1.3mm
 Inner Dia: 76mm
 Outer Dia: 82mm



TB02 Grooved Anodized Aluminum Tube
 Thickness: 1.3mm
 Inner Dia: 76mm
 Outer Dia: 82mm



TB03 Grooved Anodized Aluminum Tube
 Thickness: 1.3mm
 Inner Dia: 95mm
 Outer Dia: 102mm

Pool Cover Reel



Pool Cover Reel
 Hand Wheel: HW01
 Stand: ST01
R1110 For TB01 Tube
R1120 For TB02 Tube



Pool Cover Reel
 Hand Wheel: HW01
 Stand: ST02
R1210 For TB01 Tube
R1220 For TB02 Tube



Pool Cover Reel
 Hand Wheel: HW02
 Stand: ST03
R2320 For TB02 Tube
R2330 For TB03 Tube



Pool Cover Reel
 Hand Wheel: HW02
 Stand: ST04
R2420 For TB02 Tube
R2430 For TB03 Tube



Pool Cover Reel
 Hand Wheel: HW02
 Stand: ST05
R2520 For TB02 Tube
R2530 For TB02 Tube



Pool Cover Reel
 Hand Wheel: HW02
 Stand: ST06
R2620 For TB02 Tube
R2630 For TB03 Tube



HW01 Hand Wheel 350mm



HW02 Hand Wheel 350mm
 With overmolded soft material

Wall Skimmers Parts



T30 Complete Main Drain



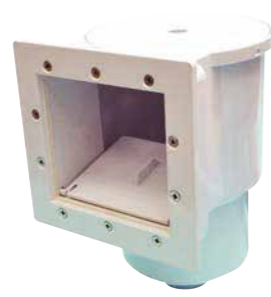
T32H Deluxe Complete Wide Mouth Wall Skimmer



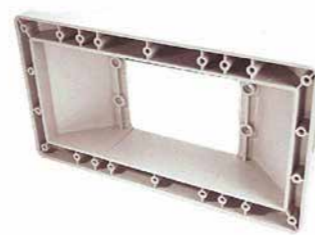
T931 Deluxe Complete High Profit Wall Skimmer



T32 Deluxe Complete Wide Mouth Wall Skimmer



T31 Complete High Profit Wall Skimmer



T93 Wide Mouth Kit

Skimmer Parts



T661 Sparts for Standard Wall Skimmer



T369 90 Degreee Hose Adapter



T35 Wide Mouth Face Plate



T46 Wide Mouth Gasket



T38 Single Layer Standard Gaskets (2pcs)



T36 Standard Face Plate



T936 Standard Face Plate with Cover



T45 Skimmer Weir with Foam



T37 Wall Skimmers Support



T37S Plastic Screws for Wall Skimmers Support



T40 Hose Adaptor



T33 Complete Return Inlet with Adaptor



T47 Octogonal Nut Set



T34 Eye Ball and Ring



T94 Eye Ball Ring



T39 Return Gasket (2pcs)



T96 Eye Ball



T48 Octogonal Nut



T41 Vacuum Plate with Hose Adapter



T183 Complete Return Inlet with Adaptor



T44 Basket for Wall Skimmer



T409 Skimmer Socks (pack of 5)



T95 Wall Skimmer Cover

Spare Parts and Others



T66D Fishtail EZ Clip Vacuum Head Handle



T66H Aluminum Vacuum Head Handle



T66E Spring Clip Vacuum Head Handle



T66A Australian Vacuum Head Handle



T66 Regular Vacuum Head Handle



T310 Adaptor-Adaptor 1/2"

MISSING PHOTO!



T65 Long Lock Pin (3pcs)



T60 Quick Snap Butterfly Clip (V Clip) - 3 pcs



Winter Plug
T486A 3/4 to 1" (19-25.2mm)
T486B 1-1/4" to 1-1/2" (32-38mm)
T486C 1-1/2" to 2" (38-51mm)
T486D 1" to 1-1/4" (25.4-32mm)
T486E 2" to 2-1/2" (56-63.5mm)



T777 Hose Connector for 32 & 38mm Hose



T495 Overflow Grating ABS + UV Length 250mm



T265 Dia. 17" Swim Ring



T456 Expansion Absorber (for In Ground Skimmer)



T457 Expansion Absorber (for Above Ground Skimmer)

Spare Parts and Others



T461 Winter Floater



T77 Plastic Pole Hanger with 12 Screws



T415 Aluminum Pole Hanger



T649 Pool Cover Drainer w/15" Hose and Syphon



Pool Rope & Float Kits

T370A 17" (7 Floats)
T370B 18" (8 Floats)
T370C 20" (9 Floats)
T370D 25" (11 Floats)



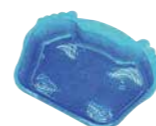
T391 Blue and White 5" x 9" Float



T410 23 x 33cm Replacement Fine Mesh Bag



T312 Safety Hook



T655 Foot Bath (55x40x10cm)



T583 Foot Bath (40x40x10cm)



T100SM 2" Side Mount Pressure Gauge (0-30/60psi)



T100BM 2" Back Mount Pressure Gauge (0-30/60psi)



Stainless Steel Pressure Gauge/ Oiled Filled Pressure Gauge-Stainless Steel Pressure Gauge



Stainless Steel Pressure Gauge/ Oiled Filled Pressure Gauge-Oiled Filled Pressure Gauge



Oiled Filled Stainless Steel & Shockproof Pressure Gauge



Stainless Steel Waterproof & Shockproof Pressure Gauge-Side Mount

T411BM Back Mount
T411SM Side Mount

T412BM Back Mount
T412SM Side Mount


T556BM Back Mount
T556SM Side Mount

T555BM Back Mount
T555SM Side Mount

Get In Touch!

Reach out to our team to get a quote or simply send us a message and we are ready to help you with anything with the expert and enthusiastic team available 24/7.

Contact Information

 +86 13686890841

 tina@urgentb2b.com

 www.urgentb2b.com